



**MSC 3D Engineering Co.,Ltd.**

# COMPANY INFORMATION

MSC 3D Engineering Co., Ltd. was established on 8 June 2015 to satisfy customers in terms of Machine design based on engineering standards which cover all of processing and also improvement for cost down by the specialist.

Our team is very proud to be a part of the Engineering design to meet the customer satisfaction as first priority based on design of various products such as Automation Machine, Mold, Jig Fixture, Jig Inspection.

The team has expertise in designing more than 12 years of creative work with the most quality

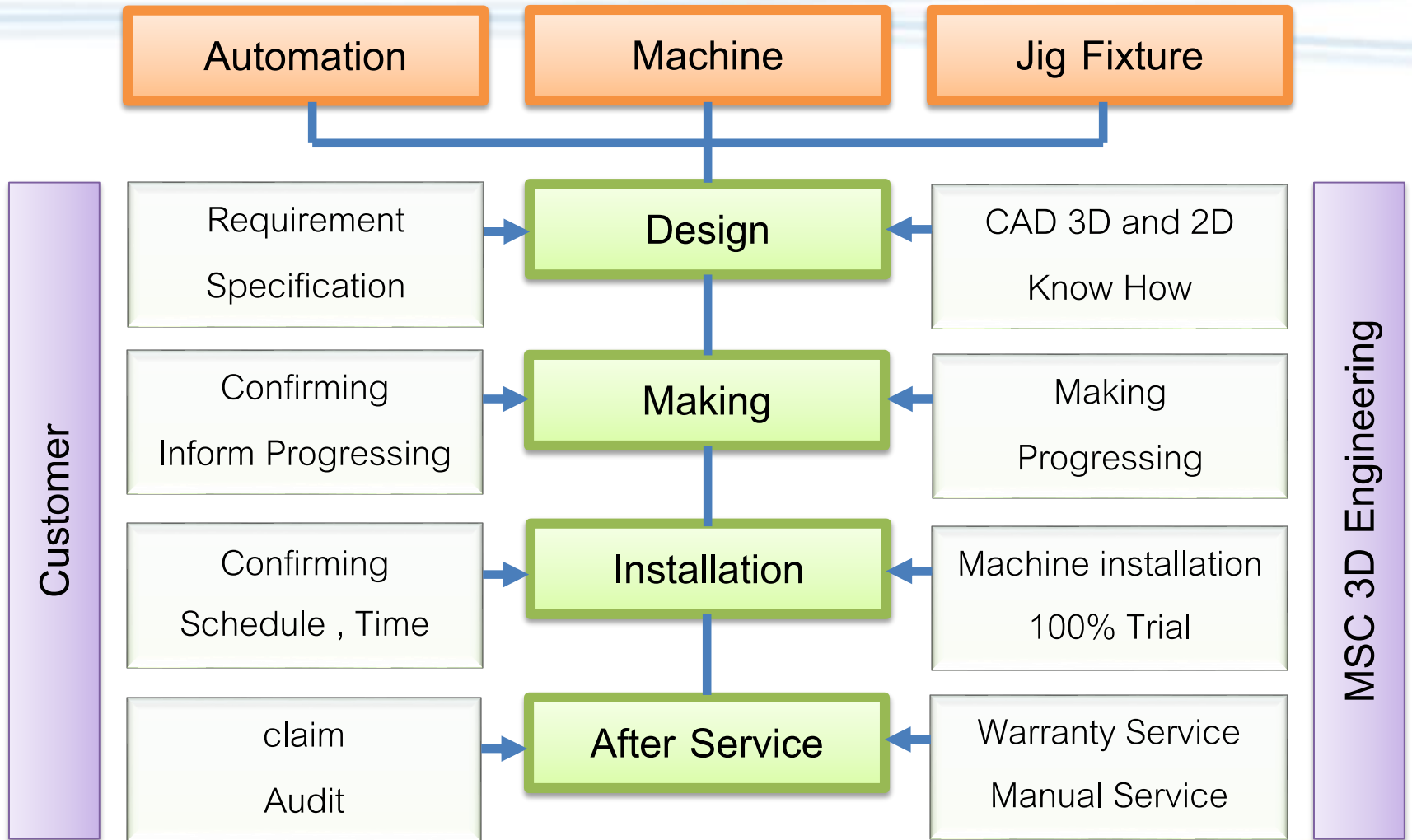
# QUALITY POLICY

- ★ We are committed to produce quality design promptly. Based on working with standard system.
- ★ We are ready to provide design information to add value to customer's products and cost down for highest customer satisfaction.

# OUR CAPABILITY

- △ Design for Automation Machine, Jig Fixture (3D & 2D)
- △ Machine making follow to customer requirement.
- △ Machine installation.
- △ Maintenance & Solving problem by Onsite Service
- △ Counseling about Machining Improvement for Cost down.
- △ Spare Part Making (Made by Order).
- △ Selling PLC and Spare part device.

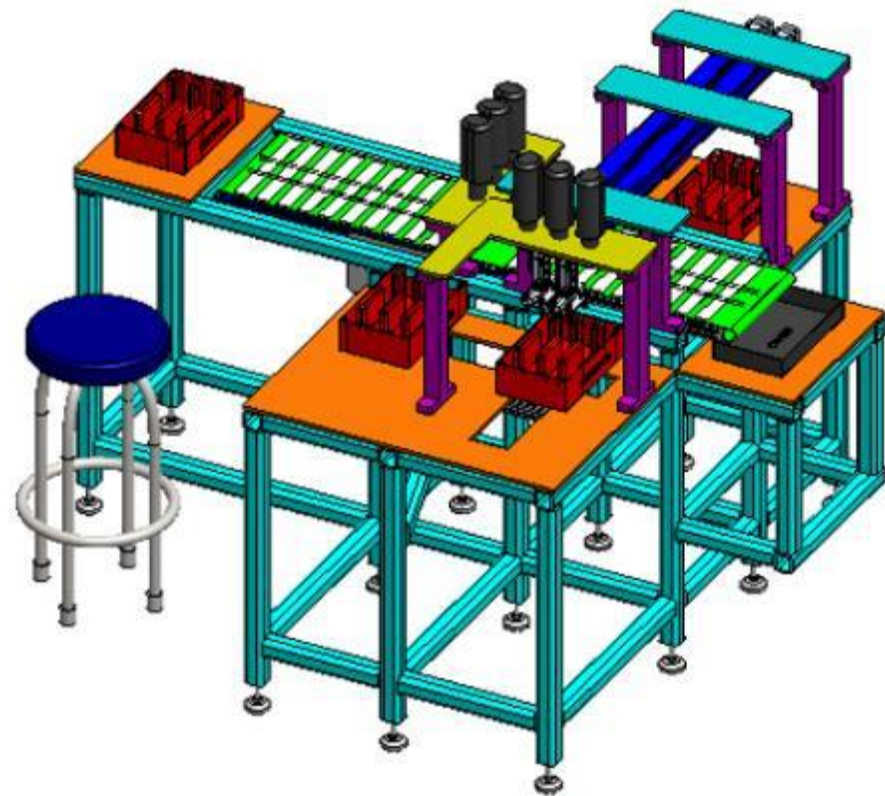
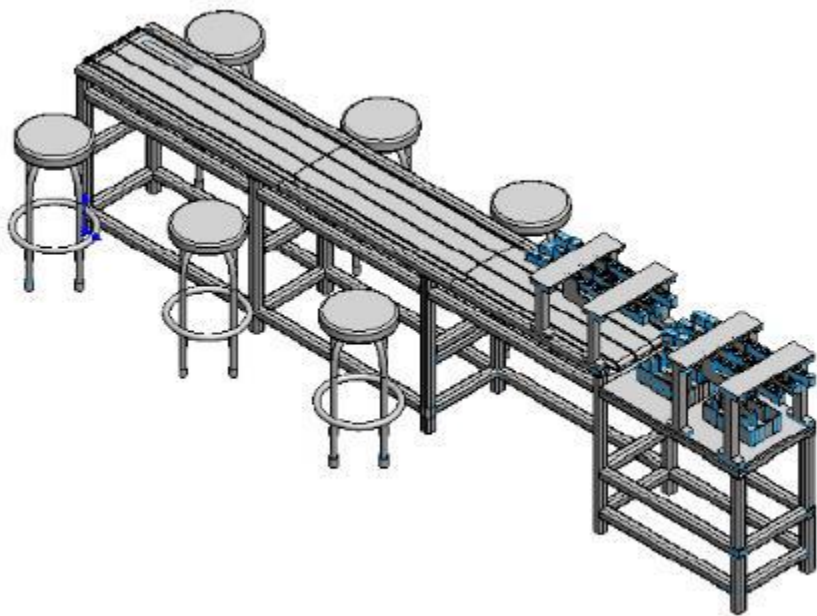
# WORK FLOW PROGRESSING



# SAMPLE OF OUR DESIGN

Automation Machine

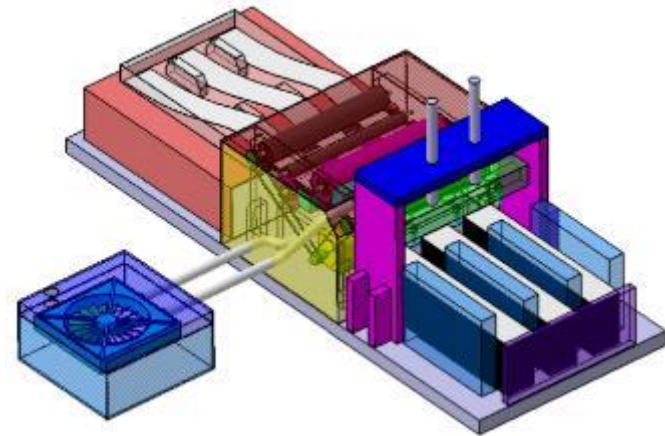
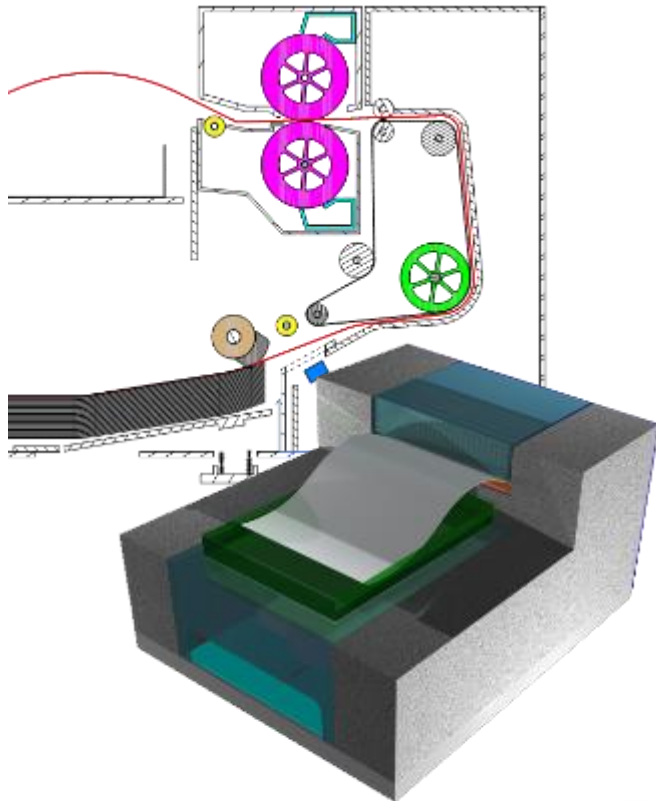
Auto Packing Machine



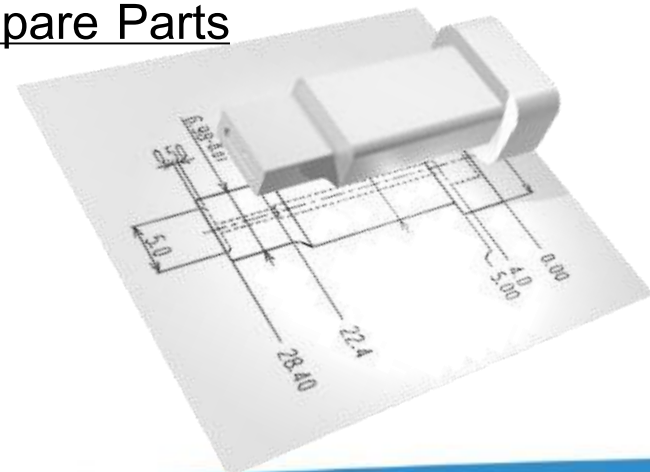
# SAMPLE OF OUR DESIGN

Automation Machine

Paper Cleaning Machine



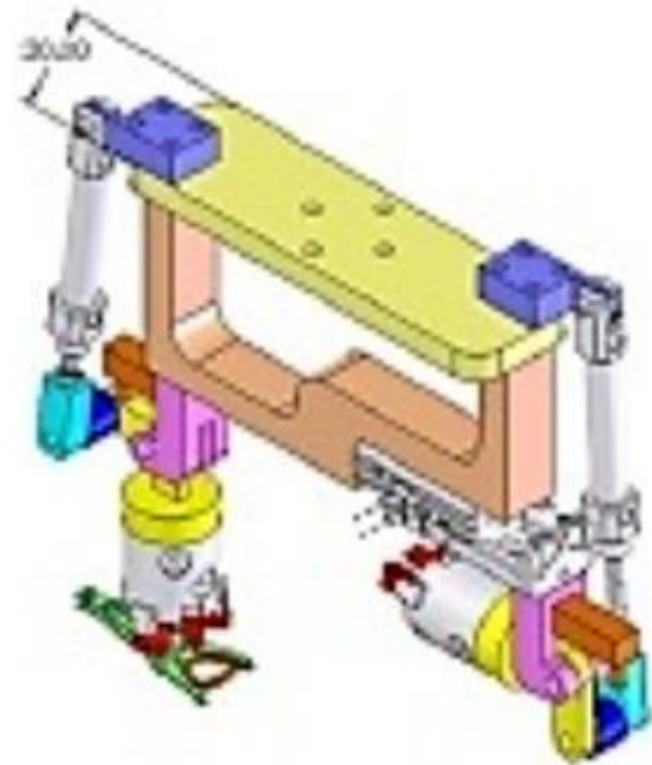
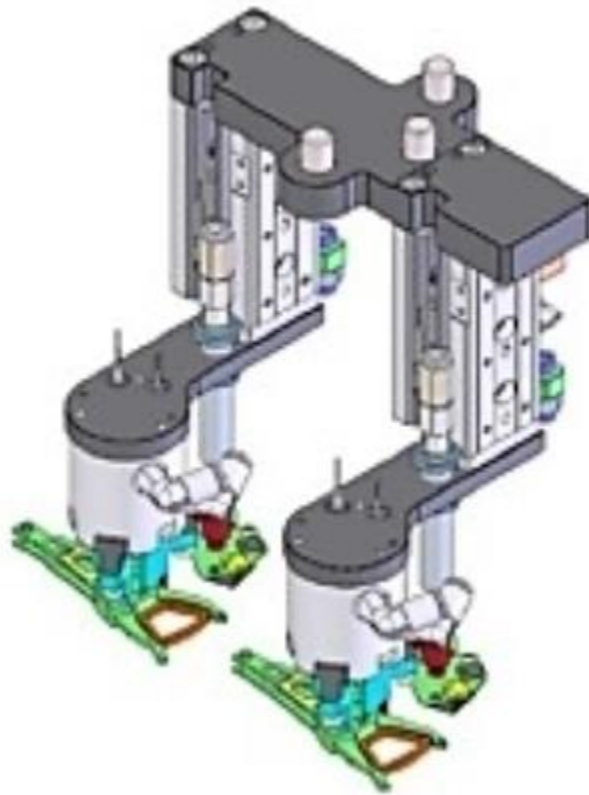
Spare Parts



# SAMPLE OF OUR DESIGN

Automation Machine

Gripper Robot





# CUSTOMER REFERENCE



Mitsui Precision Thai Co.,Ltd.  
Metal Stamping, Plastic Injection Molding and Precised Parts



The Best Group 999 Co.,Ltd.

Import-Export of Frozen Food and Foreign Workers Recruitment



# CONTACT US

MSC 3D ENGINEERING Co.,Ltd.

36 Soi Phahonyothin 129 , Prachatipat

Thanyaburi Pathumthani 12130

## Staff

Mr. Monchai Paisansub

Tel. +66(0)95-572-8709

Email : [monchai@msc3dengineering.com](mailto:monchai@msc3dengineering.com)

Mr. Rungtawan Saetia

Tel. +66(0)81-964-4992

Email : [rungtawan@msc3dengineering.com](mailto:rungtawan@msc3dengineering.com)